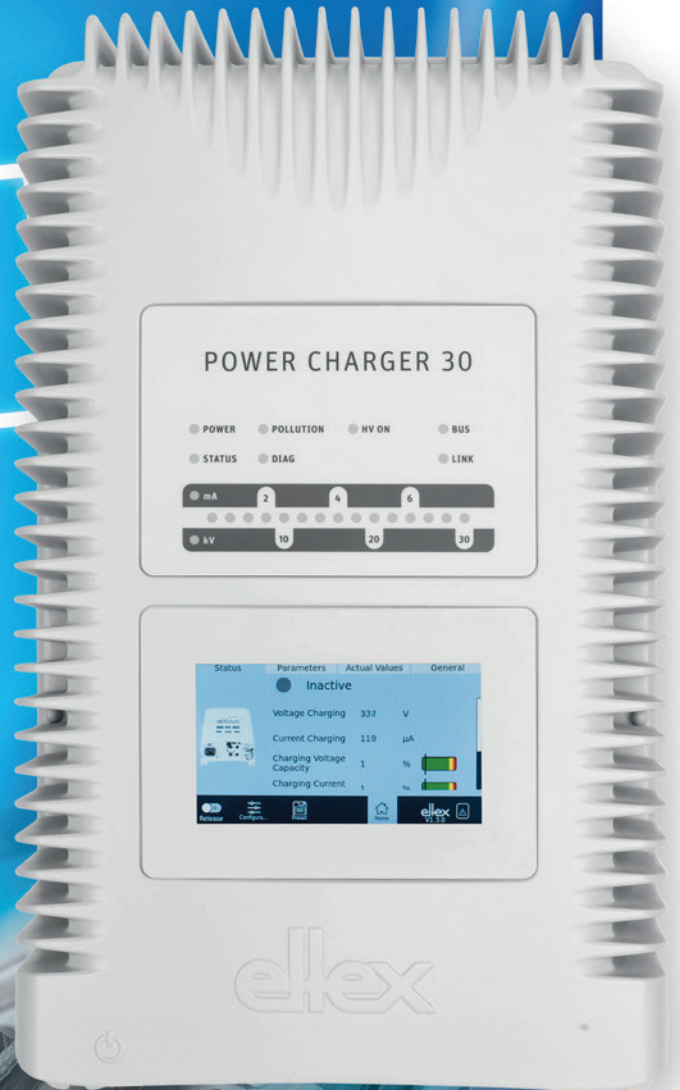


# NEXT GENERATION



electrostatic innovations



## POWER CHARGER

**➤ Maximum safety  
for users and devices**



*The operating status is indicated by LEDs. Simple operation using keyboard or optionally using touch display.*

**The POWER CHARGER generation replaces all former Eltex high-voltage generators 30 – 60 kV**

One notable feature of the POWER CHARGER generators is their innovative control concept. The integrated software regulates the output values with high speed and reliability. Load changes are detected in milliseconds. The output is adjusted using automatic power derating. This increases process reliability and the service life of electrical components.

Depending on the equipment variant, a contamination monitoring system for the connected bars provides even greater device safety and process reliability. The new control system enables up to 50% higher output compared to conventional devices.

## ➤ Perfectly tuned for processes and users

The POWER CHARGER is available on the market as one of the first high-voltage generators with a Performance Level D approval for user protection. A new plug system enables simple, secure contact with the connected bars. All safety-related standards are observed for creeping current paths in the connection area.

Using the Eltex Connected Control touch-based monitoring control system, multiple generators can be managed from a central location. The integrated memory records parameter changes from users, such as sensitivity adjustments. This makes it possible to optimally tune the generator settings to the specific processes.



*The POWER CHARGER generators are ideal for all charging applications. They can be operated with a 24 V DC supply voltage or a mains voltage ranging from 90 V – 264 V AC. The power output is 75 or 150 watts.*



### Power stages and options

Two different power levels guarantee a cost-efficient use of the generators for all applications. External control is possible via the analogue interface. With the optionally available digital interfaces the POWER CHARGERS are ready for Industry 4.0.

Users see reduced costs and less space usage thanks to an optionally integrated discharge unit that simplifies control within the process at the same time.

### Features

- smart software control system
- 30 kV or 60 kV output voltage
- 24 V DC or 90 V – 264 V AC supply voltage
- 75 W or 150 W power
- automatic power derating
- analog interface
- LED status display
- UL certification

### Optional

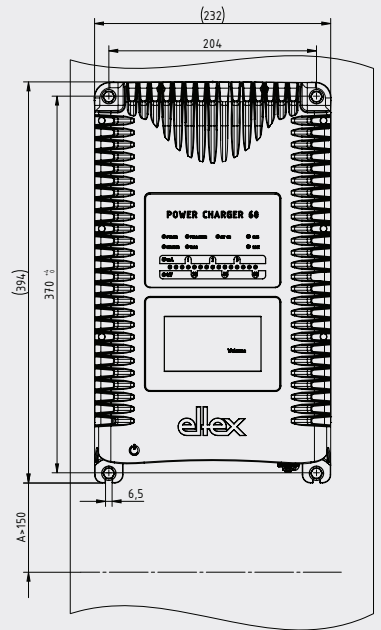
- touch-display
- fieldbus interfaces
- Performance level D
- configurable arc detection
- log file recording
- integrated discharge unit



**POWER CHARGER**

Technical specifications

Casing	Coated aluminum
Color	RAL 7035 (light gray)
Dimensions	106x232x394 mm
Weight	5.5 to max. 8 kg
Protective system	IP 54
Display	Status LED Optional display
Operation	Membrane keyboard External activation Optional touch display
Power supply	DC 24 V ± 15% AC 90 V – 264 V 50/60 Hz

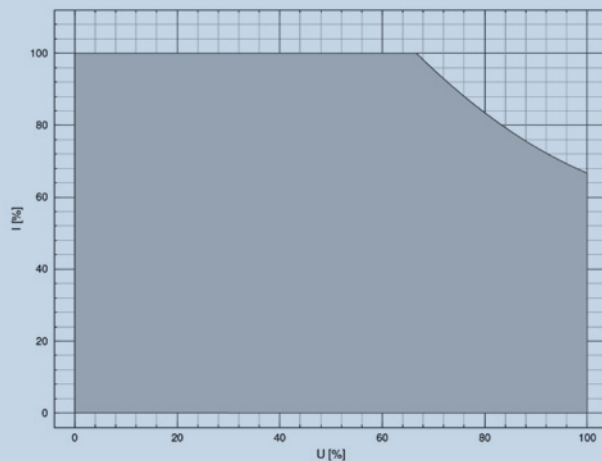


Maximum output currents and voltages

Variant	Output voltage	Output current	Power	
			24 V	100/240 V
<b>30 kV – 75 W</b>	+30 kV/-30 kV	3.75 mA at 20 kV/2.5 mA at 30 kV	X	X
<b>30 kV – 150 W</b>	+30kV/-30 kV	7.5 mA at 20 kV/5 mA at 30 kV		X
<b>60 kV – 75 W</b>	+60kV/-60 kV	1.875 mA at 40 kV/1.25 mA at 60 kV	X	X
<b>60 kV – 150 W</b>	+60 kV/-60 kV	3.75 mA at 40 kV/2.5 mA at 60 kV		X

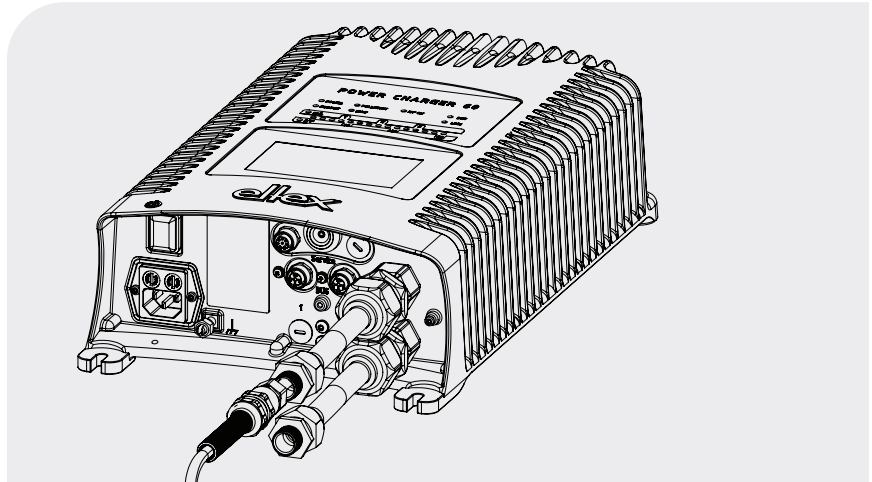
Power Derating

Automatic power adjustment

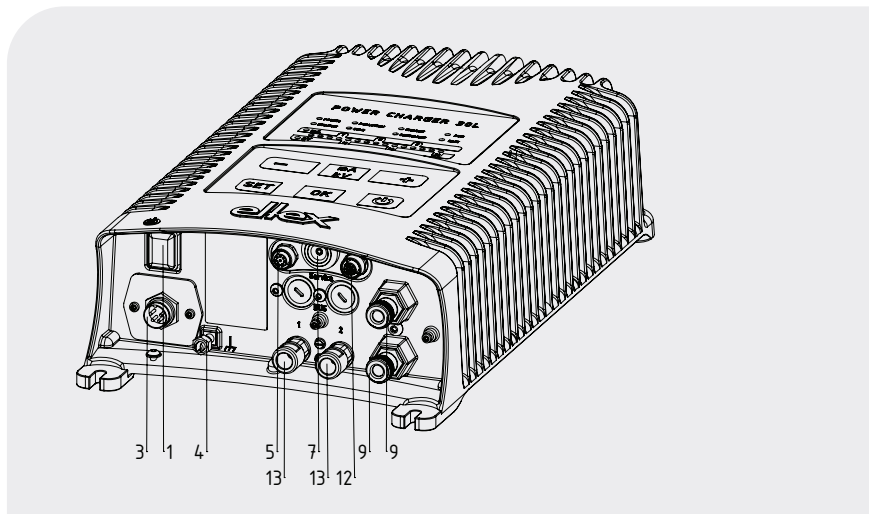


**POWER CHARGER**

**High voltage generator POWER CHARGER PCSC  
60 kV**

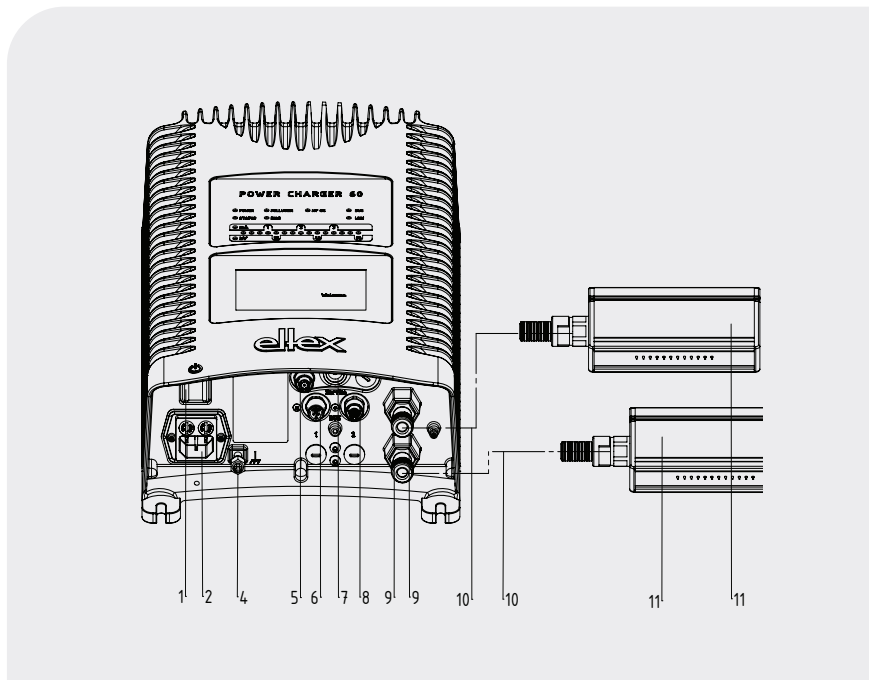


**High voltage generator POWER CHARGER PCSC  
with discharging (12/13)**



**High voltage generator POWER CHARGER PCSC  
with charging bar suitable for connection (9)**

- 1 Operating switch ON / OFF
- 2 System input 90 – 264 V AC
- 3 System input 24 V DC
- 4 Ground terminal
- 5 Analog interface
- 6 Interface 1 Field bus
- 7 Service interface
- 8 Interface 2 Field bus
- 9 High voltage output:  
Connection of the charging bar
- 10 High voltage cable
- 11 Charging bar
- 12 Analog interface discharging
- 13 High voltage output discharging



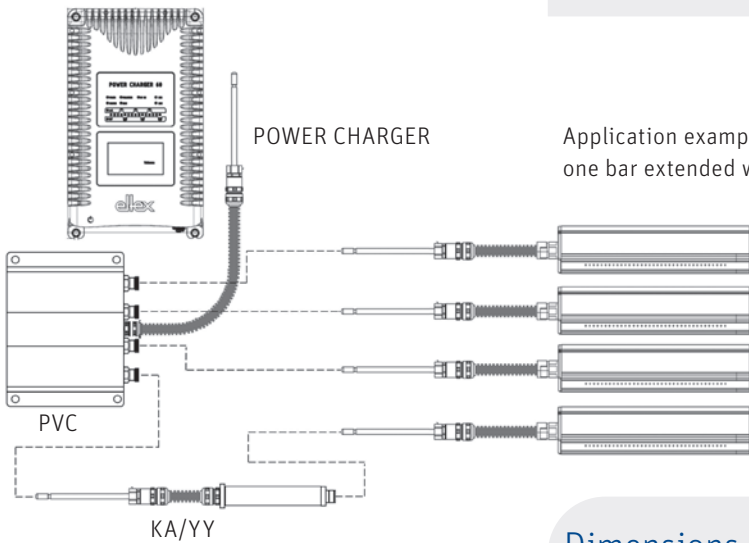


**POWER CHARGER**  
High voltage distributor PCV 30kV



Technical specifications

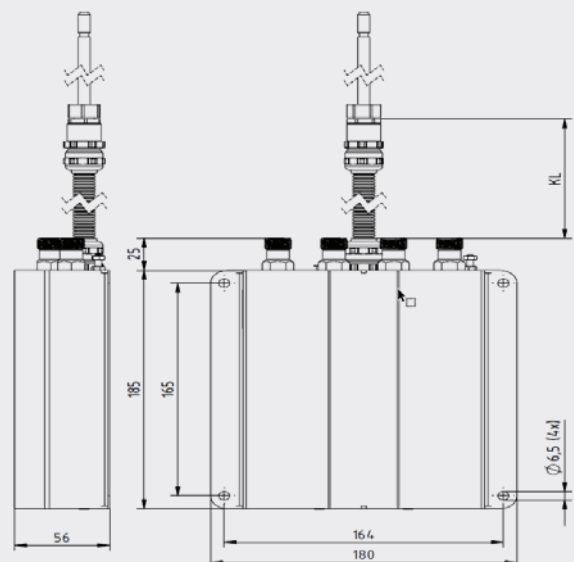
Supply voltage	max. 30 kV DC
Operating ambient temp.	0...+70°C (+32...+158°F)
Storage temperature	-10...+80°C (+14...+176°F)
Ambient humidity	max. 80 % r.h., non-dewing
High voltage connections	4 pcs. plug-type
Housing	stainless steel with mounting drill-hole
Dimension	210 x 180 x 56 mm (H x W x D)
Weight	approx. 3 kg



Application example of the PCV with 4 bars (R120 or R130A3), one bar extended with KA/YY



Dimensions





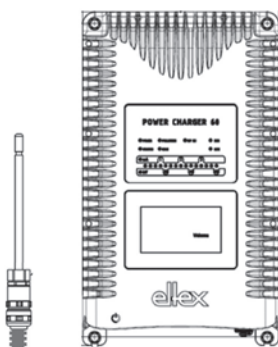
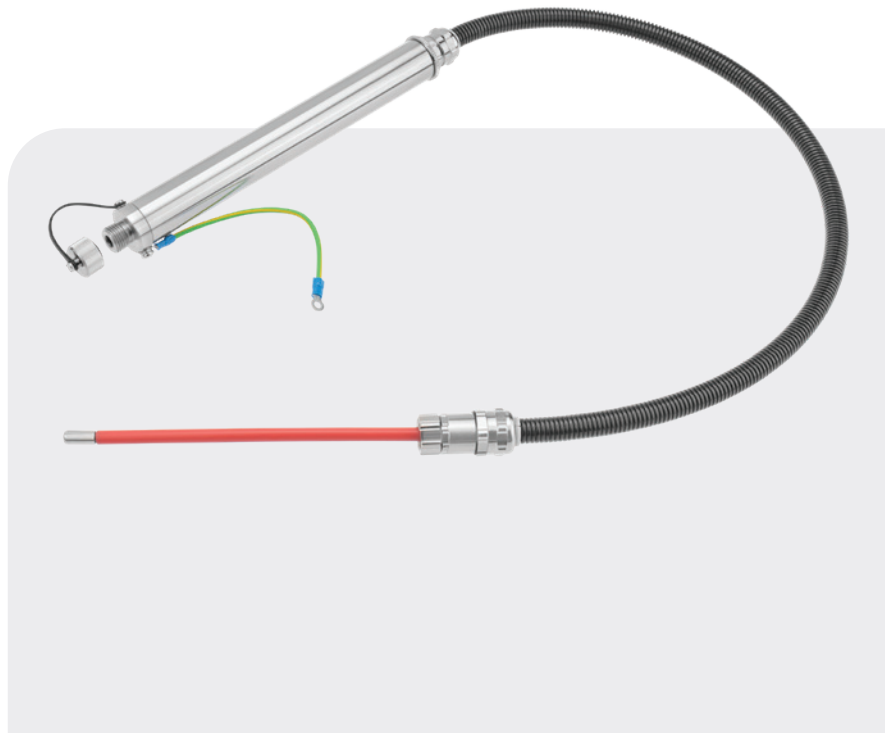
**POWER CHARGER**  
Adapter cable KA/YY

**Adapter cable KA/YY**

Extension of the connection  
POWER CHARGER - bar. Detachable  
connection near the bar is possible.

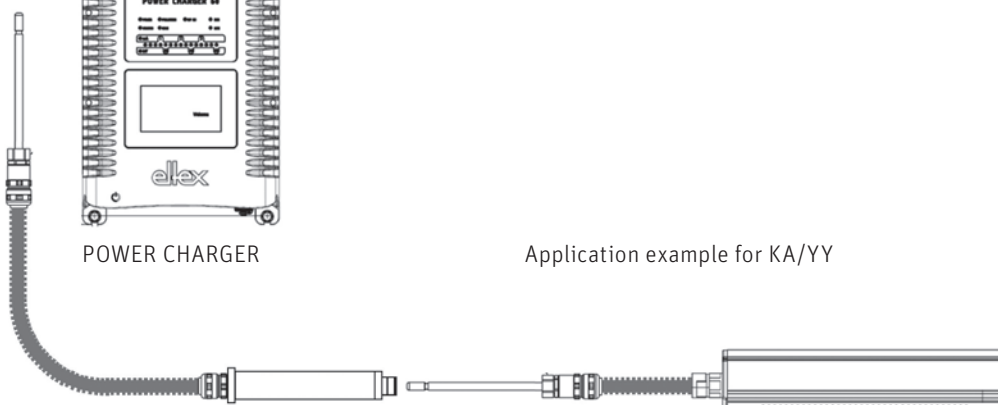
**Variant adapter cable**

In the **KA/RY** version it is possible  
to connect bars with plug **Y** to  
**KNH** generators.



POWER CHARGER

Application example for KA/YY



KA/YY

R120 or R130A3

**Various conversion parts for changing from  
KNH generators to POWER CHARGER are  
available. Please contact us.**