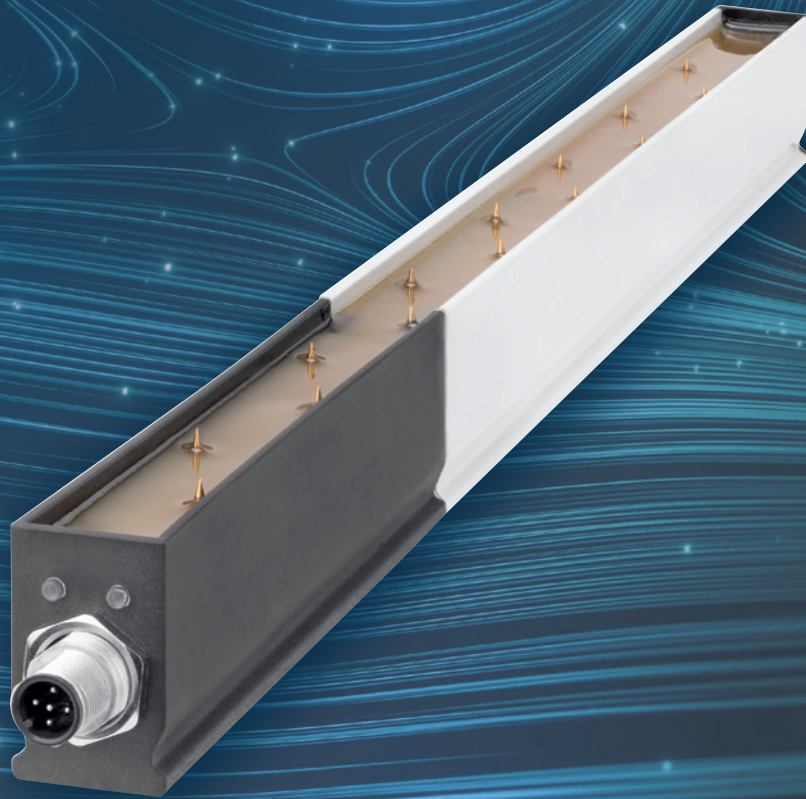


DISCHARGING



ellex

electrostatic
innovations



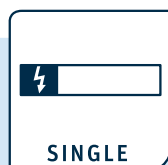
Smart Discharging System SDS

Discharging bar with integrated high voltage generation

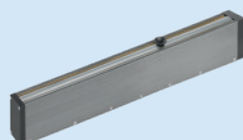
At the Smart Discharging System SDS, the components such as power supply, output stage and measurement technology are completely integrated into the slim bar profile. The system is best suited for discharging in the medium distance and speed range. The system is operated via a central control module.

Advantages at a glance

- › high output voltage for medium discharge range
- › a long life emission tip realized with an optimized high-performance material of the emission tip
- › shockless - no danger of electrical shock to personnel
- › profile easy to clean
- › function and malfunction monitoring of the system with fault signal output



No separate power supply required: Other products of the SINGLE series:



ionSTAR RX3



SMART DISCHARGING SYSTEM SDS

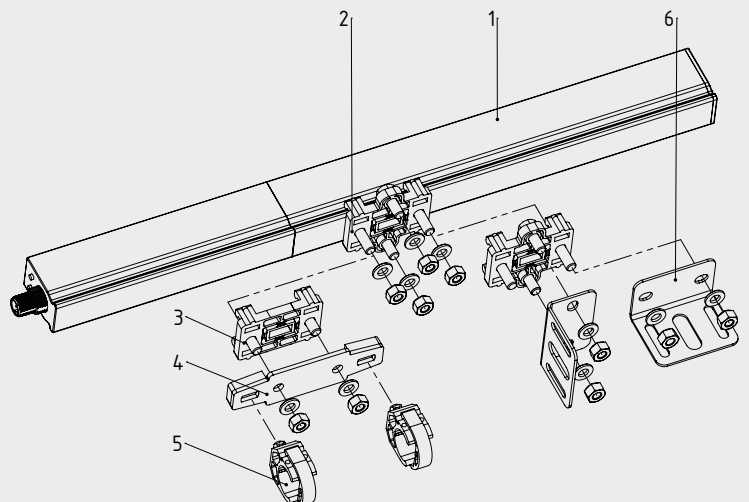
Technical Information

Input	SDS/N	SDS/E
Supply voltage	24 V DC +/- 10 %	
Power input	12 Watt maximal	
Connectivity		
Interfaces	digital, CANopen®	
Output		
Output voltage	+/- 7 kV	+/- 11 kV
Short-circuit current/tip	0.075 A	0.120 A
Frequency	48 Hz, with CANopen® (ECC) 30– 50 Hz adjustable	40 Hz, with CANopen® (ECC) 30 – 50 Hz adjustable
High voltage generation	internal, cascade	
Features		
Ion balance	preset setting	
Fuse monitoring	fixed protection circuit	
Pollution monitoring	existing	
Key data		
Bar element/basic device	glass-fibre-reinforced plastic GRP	
Encapsulation material	polyurethane, UL94 V-0	
Emission tips	tungsten	
Installation material	fiberglass reinforced plastic holder	
Operating ambient temperature	+5 ... +80 °C	
Ambient humidity	max. 80 % RH, non-dewing	
Protection class	IP66 according to EN 60529	
Available active lengths	330 – 3990 mm in 60 mm steps	315 – 3915 mm in 90 mm steps
Dimensions	24 x 39 mm, max. length 3990 mm	24 x 39 mm, max. length 3915 mm
Weight	approx. 1.3 kg/m	
Contact protection	according to EN 61140	



The brackets (2), (3) or (3,4,5) are included in the standard scope of delivery, depending on the configuration. The brackets (6) can be ordered separately.

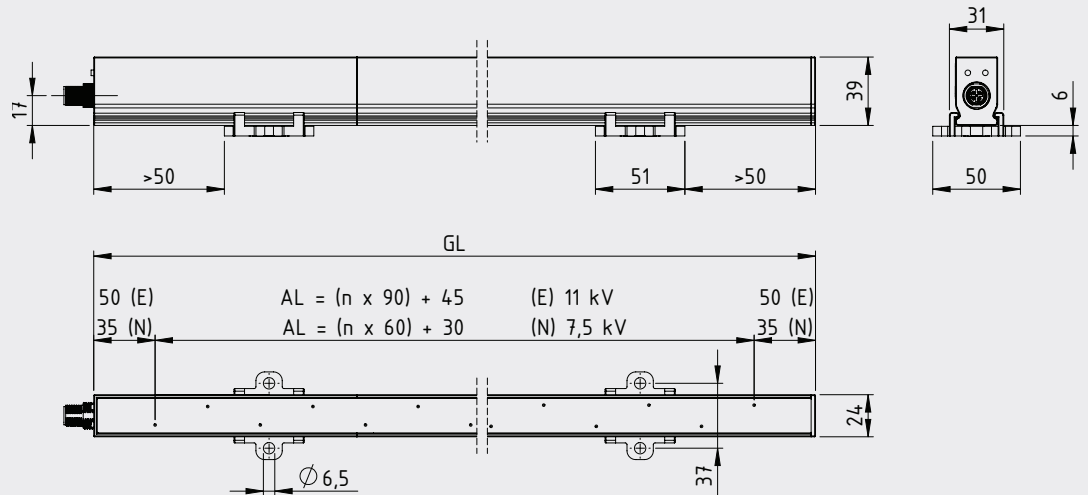
Mounting Options



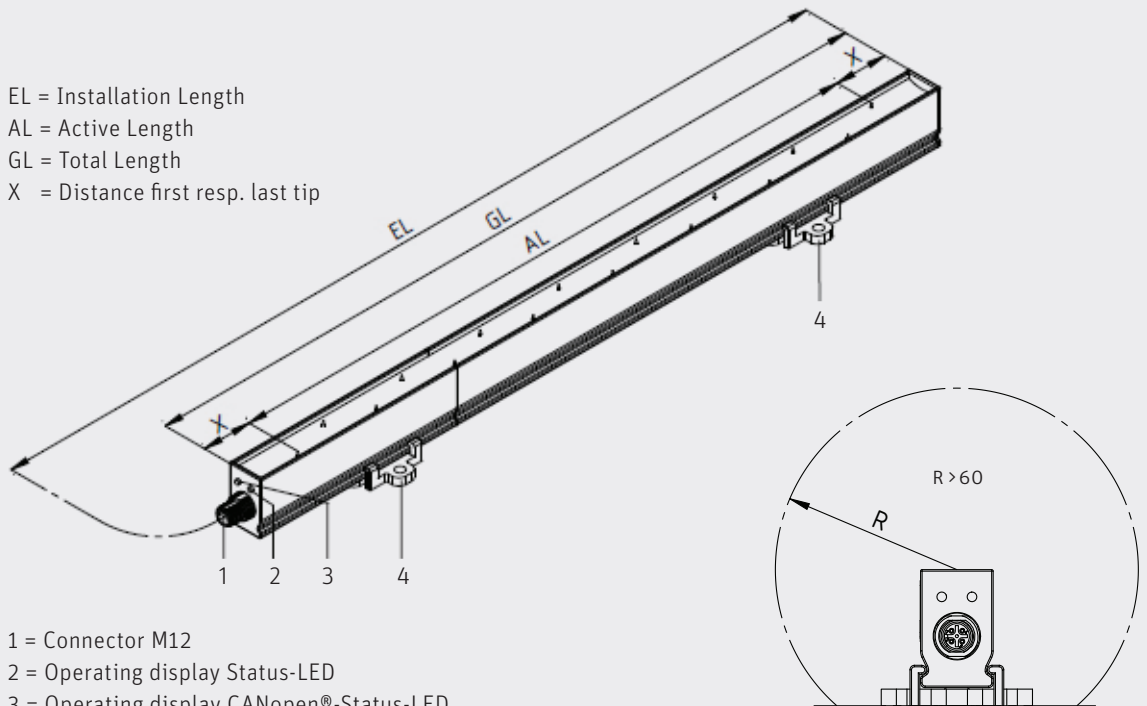


SMART DISCHARGING SYSTEM SDS

Dimensions



EL = Installation Length
 AL = Active Length
 GL = Total Length
 X = Distance first resp. last tip



1 = Connector M12
 2 = Operating display Status-LED
 3 = Operating display CANopen®-Status-LED
 4 = Bracket

