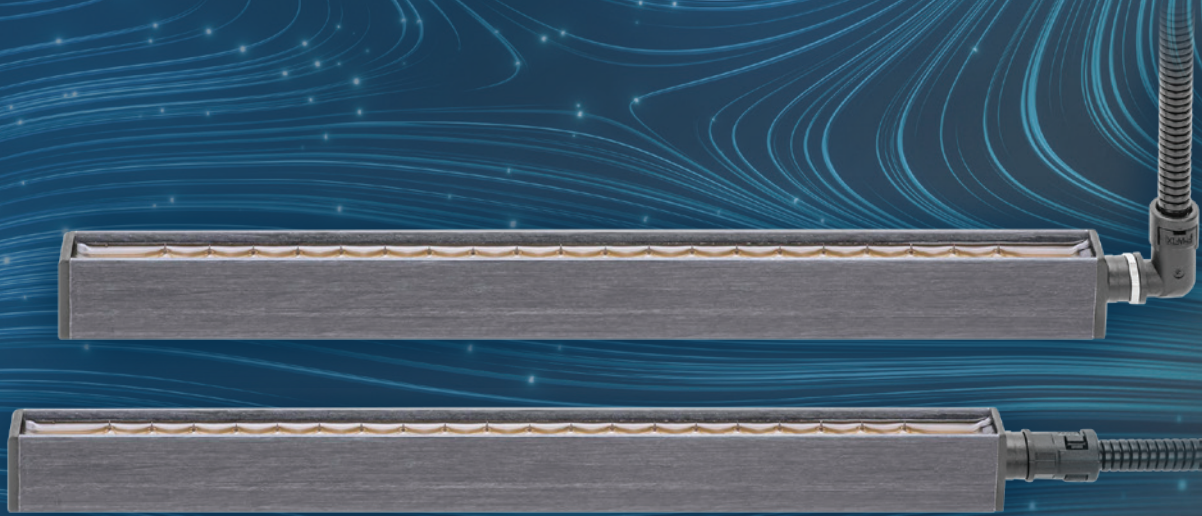


DISCHARGING



eltex

electrostatic  
innovations



exBAR EXR5C

## Safe discharging also in the EX area

The exBAR EXR5C is operated with an AC voltage of up to 5 kV and is approved for use in Group IIG and IID potentially explosive atmospheres. Corresponds to equipment category 2 (zone 1 equipment).

### Advantages at a glance

- high discharge range and hence great depth effect
- high active discharge power through patented, isolated ground conductors
- high safety standards through passive discharge power with deactivated power supply
- no health hazards in case of electric shocks when touching individual tips ( $\leq 10$  tips)



Suitable for connection  
to the Eltex power supply:



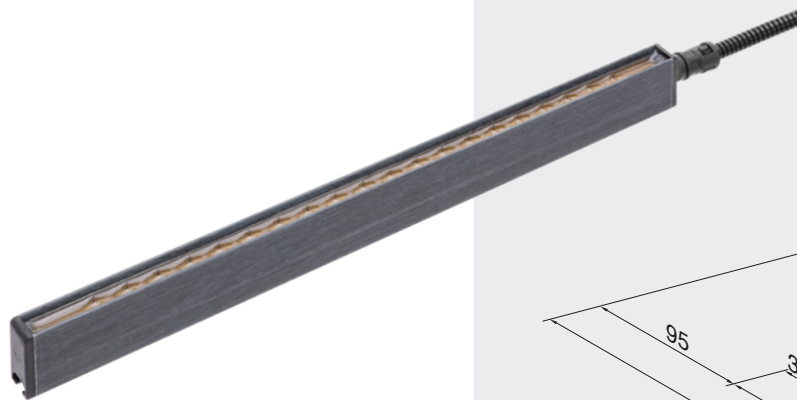
IONIZER ES53



## Technical Information

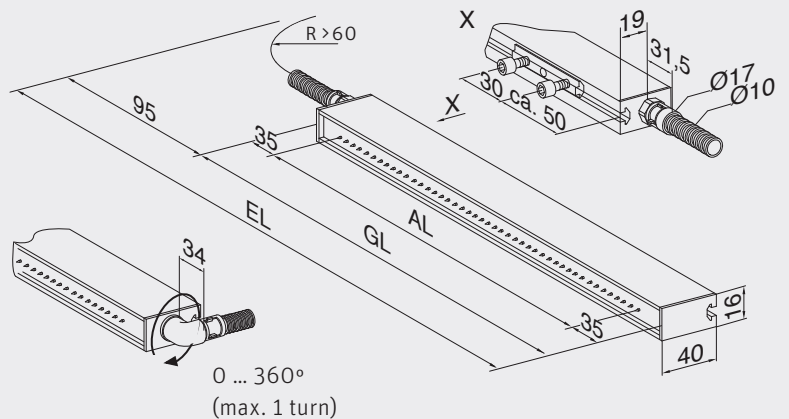
Bar element	glass-fibre-reinforced plastic GRP
Encapsulation material	polyurethane, UL-94 V-0
Emission tips	stainless steel
Installation material	plastic sliding nuts
Operating ambient temperature	0 ... +40 °C
Ambient humidity	max. 70 % RH, non-dewing
Available active lengths	15 – 5910 mm in 15 mm steps
Dimensions	16 x 40 mm, max. length: 5980 mm
Weight	approx. 0.8 kg/m
Operating voltage	max. 5 kV AC, 50/60 Hz
High voltage connection	high voltage cable encapsulated, axial or radial (rotatable by 360°)
Short circuit current/tip	max. 0,046 mA
Contact protection	according to EN 61140
Approvals	EX UL(ES53US)

## Dimensions



### Sliding nuts

Scope of delivery related to total length  
 up to 1 m: 2 pieces / bar  
 up to 2 m: 3 pieces / bar  
 up to 3 m: 4 pieces / bar



EL = Installation Length  
 AL = Active Length  
 GL = Total Length